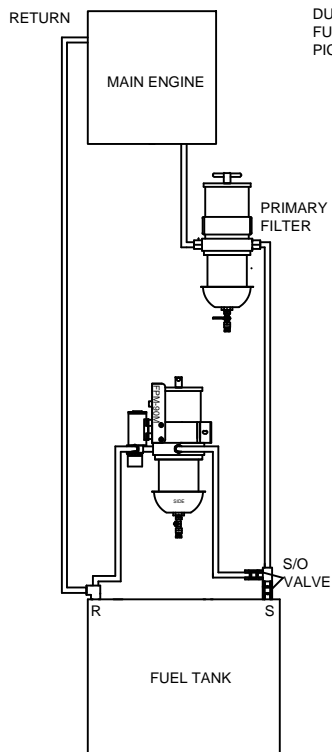
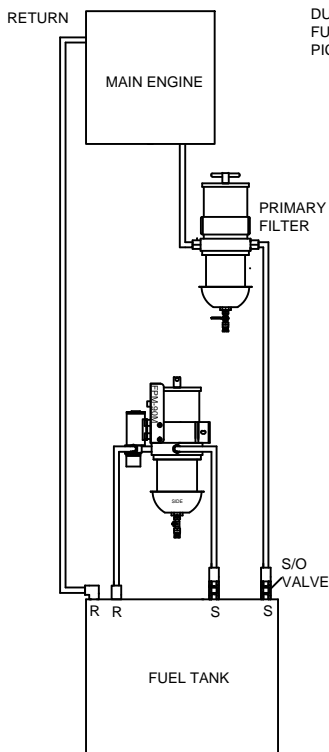
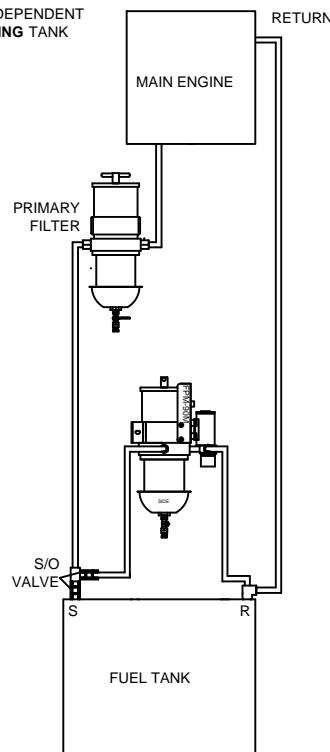


# DUAL ENGINES/TANKS SEPARATE POLISHERS



DUAL ENGINE AND TANKS WITH INDEPENDENT FUEL POLISHING MODULES - **SHARING TANK** PICK UP AND RETURN



DUAL ENGINE AND TANKS WITH INDEPENDENT FUEL POLISHING MODULES - **SEPARATE TANK** PICK UP AND RETURN

