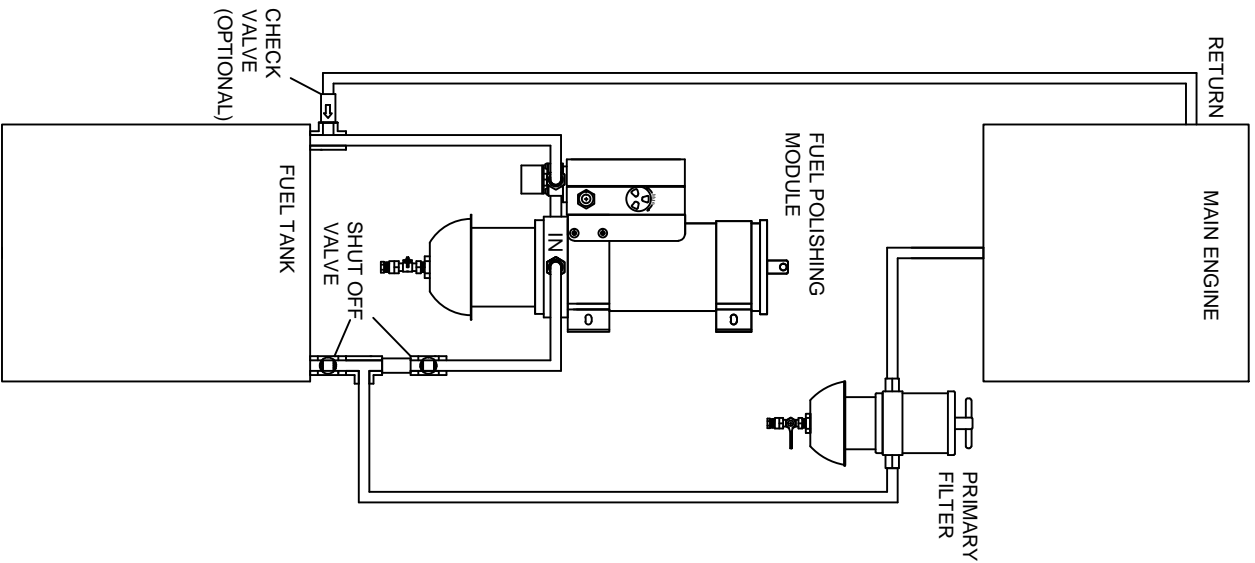


SINGLE ENGINE AND TANKS

**SINGLE TANK - FPM
SHARING FUEL
SYSTEM WITH ENGINE**



**SINGLE TANK - FPM
USING IT'S OWN FUEL
PICK UP AND RETURN**

